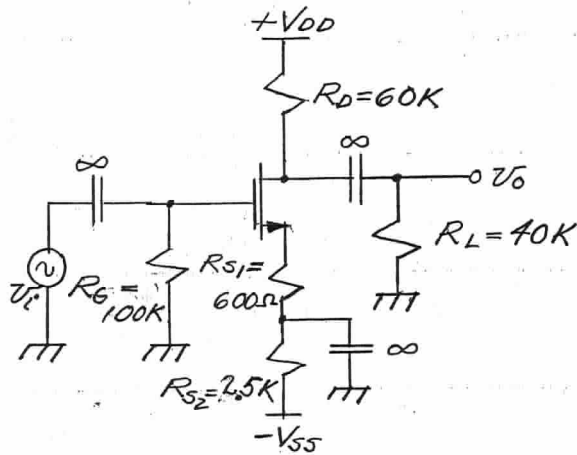


1)



(5 pts) a) For the circuit shown, draw the complete small-signal equivalent circuit using the T model. Let $\lambda=0$. Label all elements.

b) Determine the value of the voltage gain, v_o/v_i , if $g_m = 1\text{mA/V}$?

$v_o/v_i =$ _____ (5 pts)